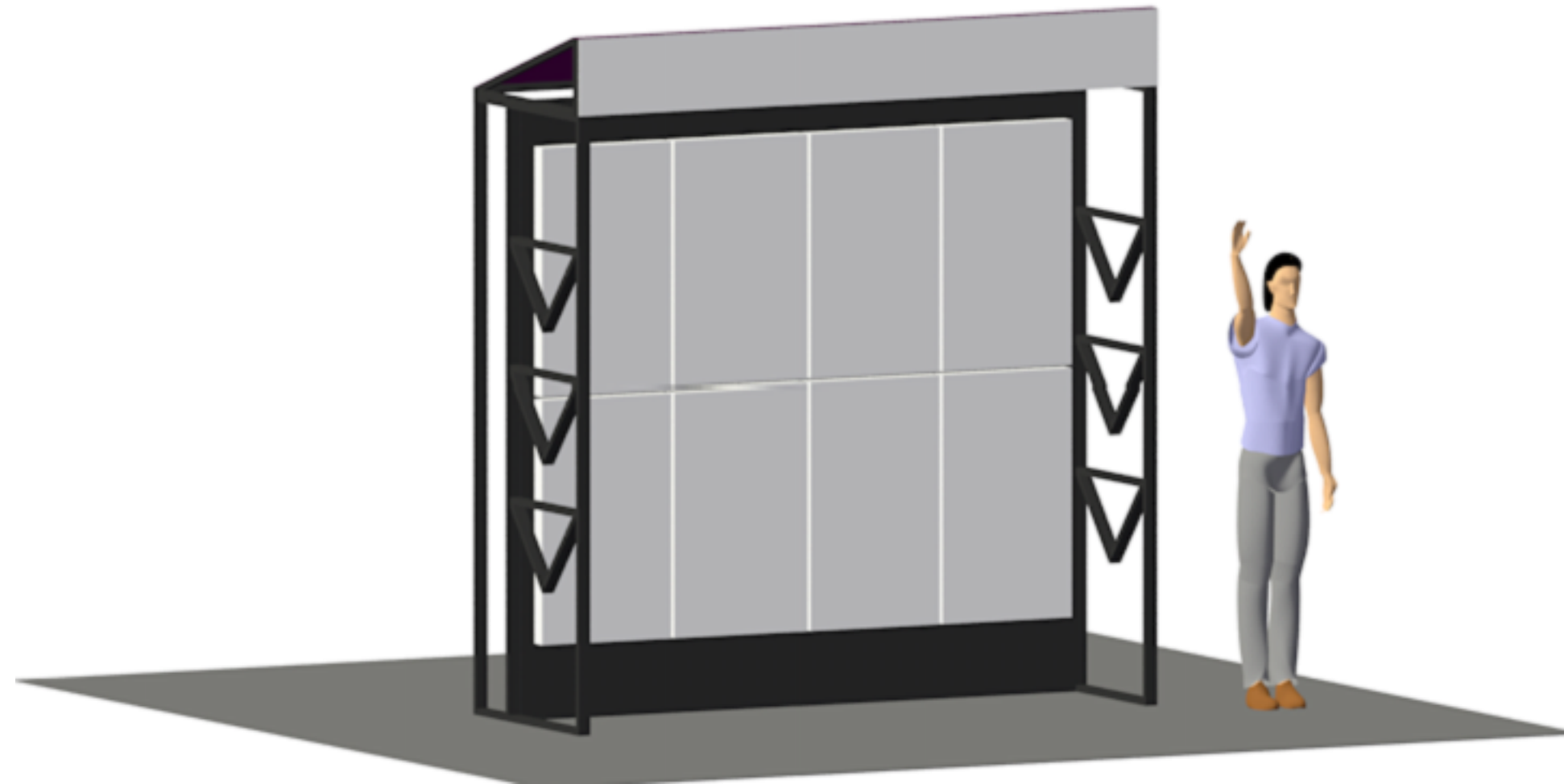
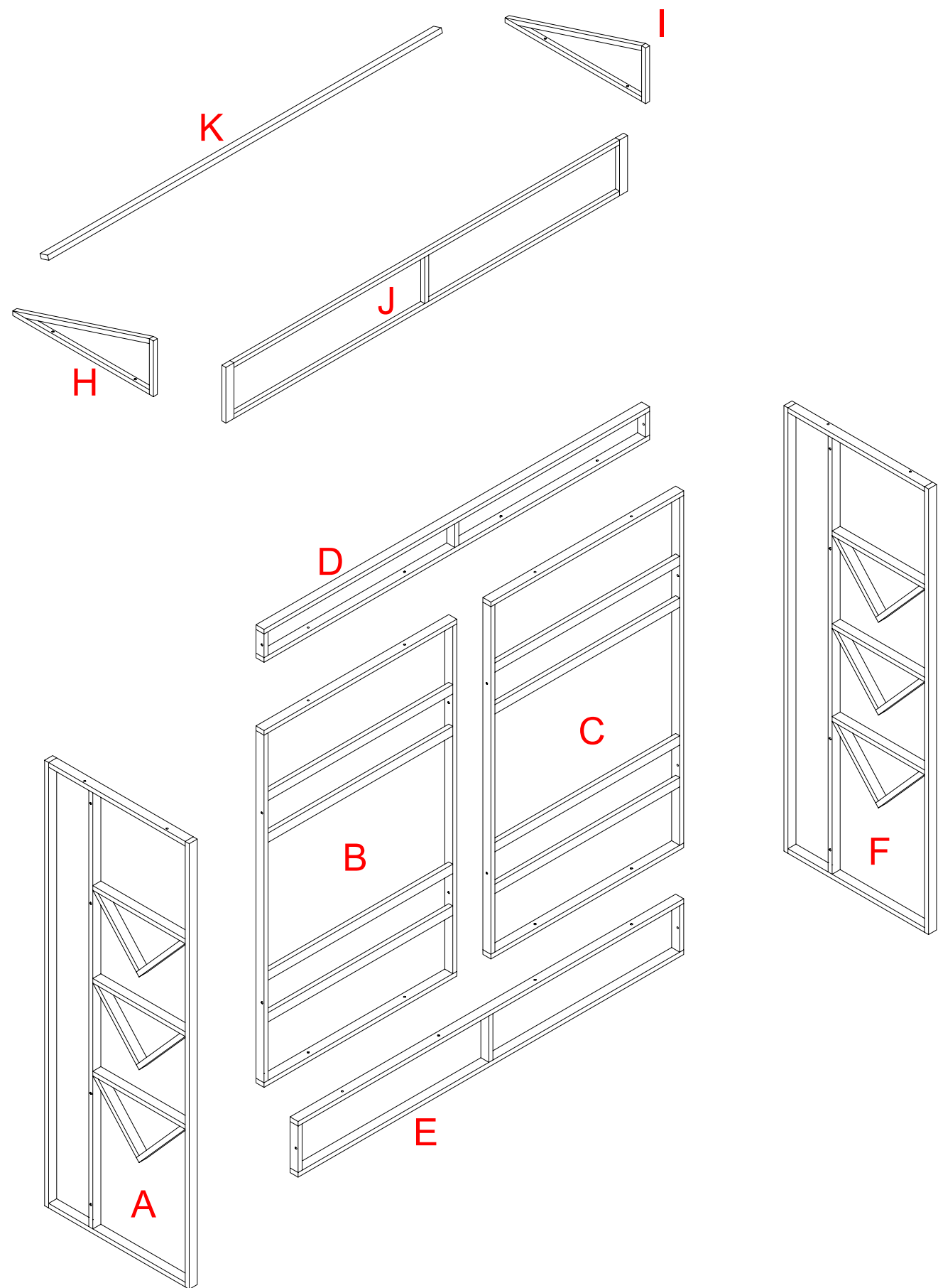


Gallagher Bluedorn Performing Arts Center

Video Wall



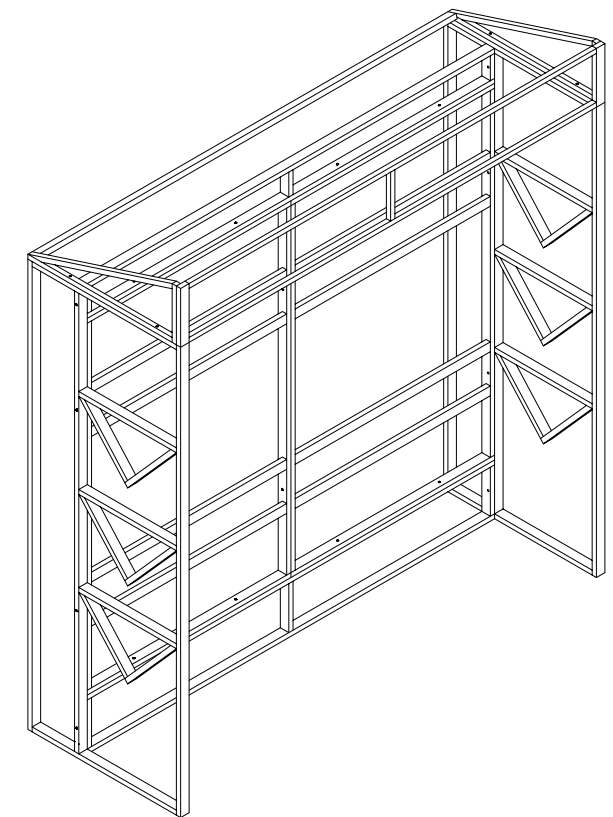
Project Name		GBPAC Video Wall	
Client Name and Address		Shawn Poellet Gallagher Bluedorn PAC	
Scale		Date	3/25/16
Sheet Number	1/7	Sheet Title	Title Page



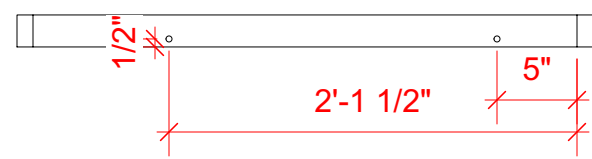
Unless otherwise specified units will be secured by 5/16" bolts.

Units H, I, and J will be joined with hinges.

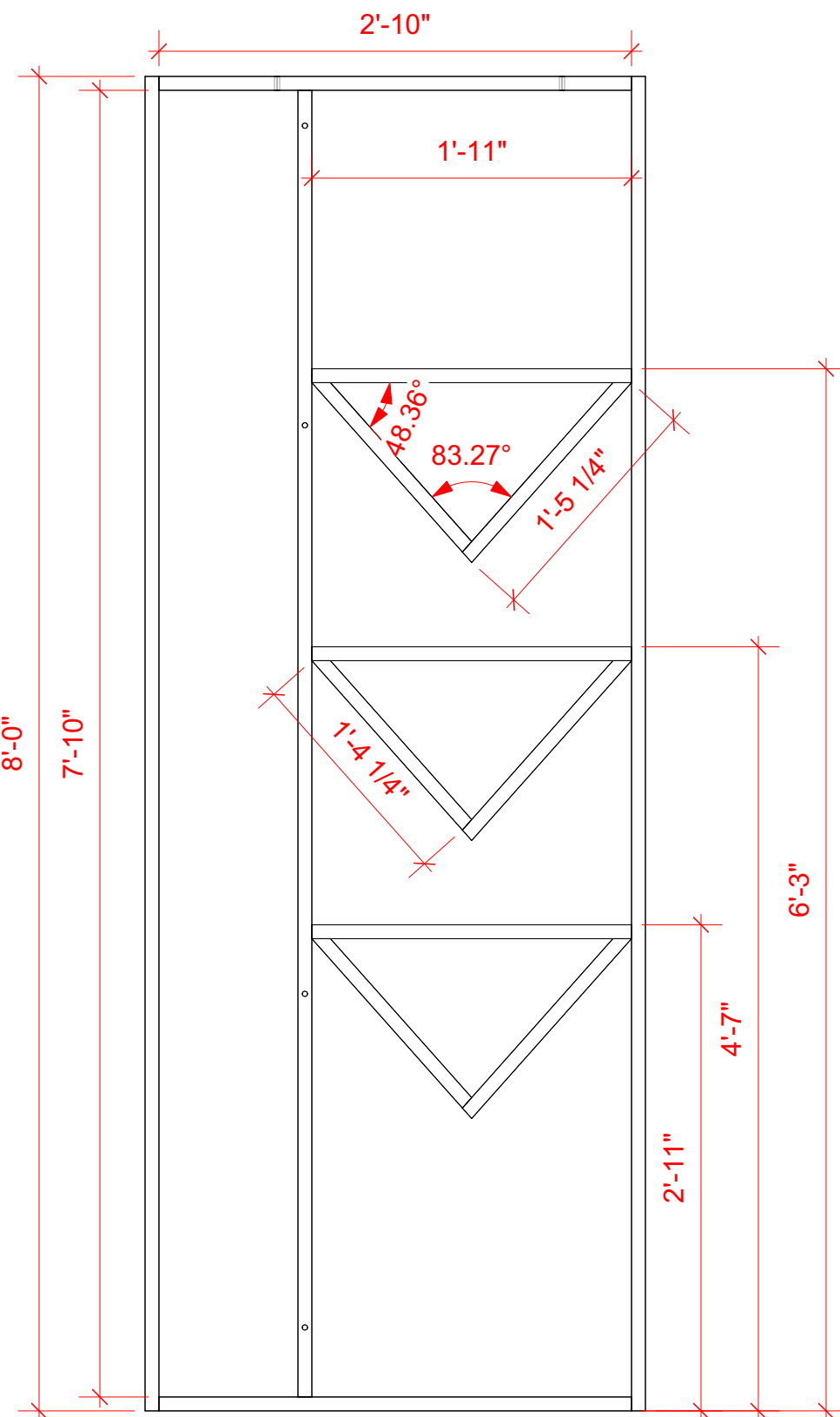
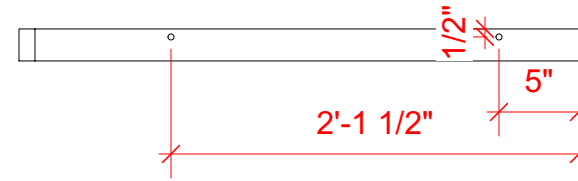
Unit K will connect to units H and I using loose pin hinges.



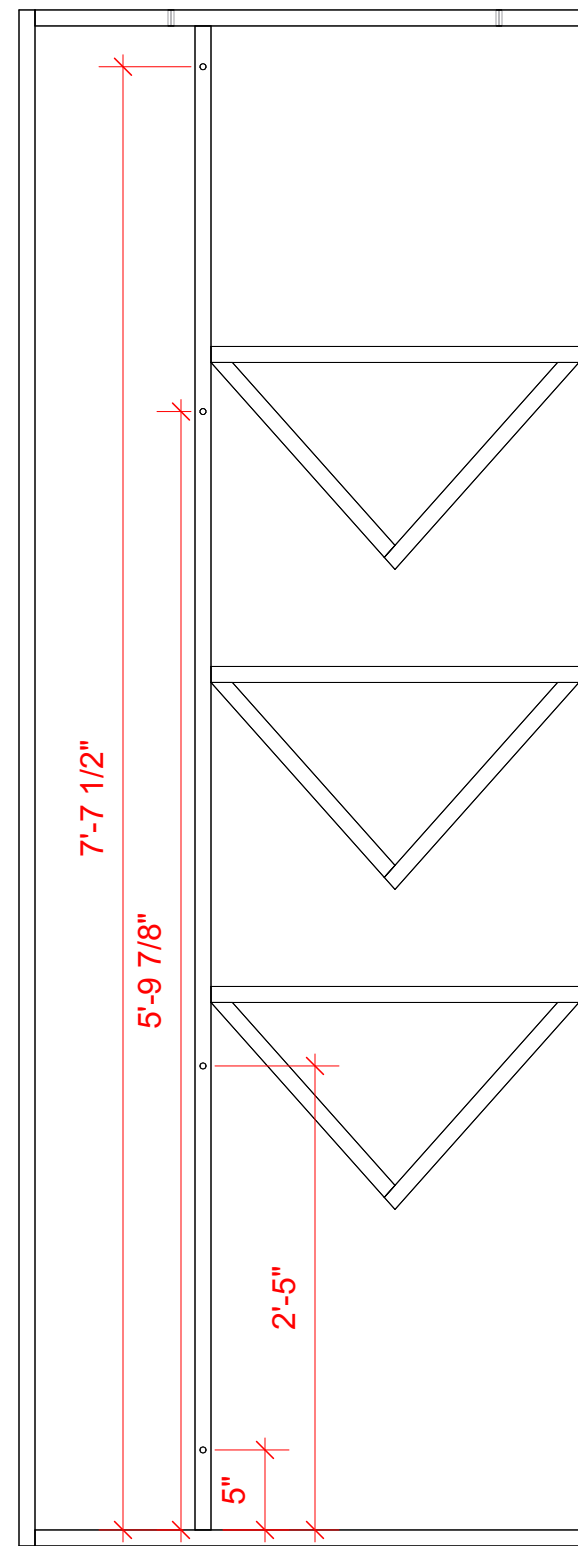
Project Name		GBPAC Video Wall	
Client Name and Address		Shawn Poellet Gallagher Bluedorn PAC	
Scale		Date	3/25/16
Sheet Number	2/7	Sheet Title	Exploded View



Top View



Front View



Unit F
Side Right Wall
Build 1

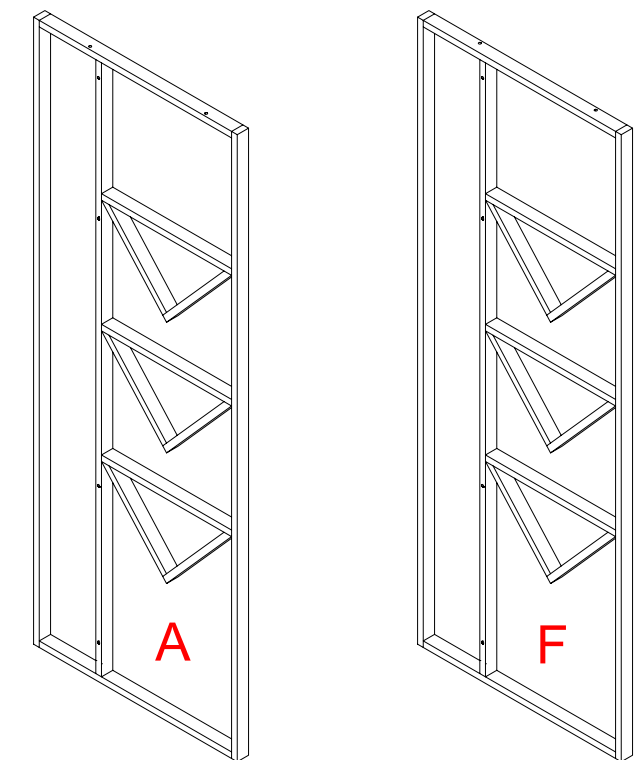
Unit A
Side Left Wall
Build 1

Except for the placement of the bolt holes on the top these units are identical.

All material is 1"x2" steel box tube.

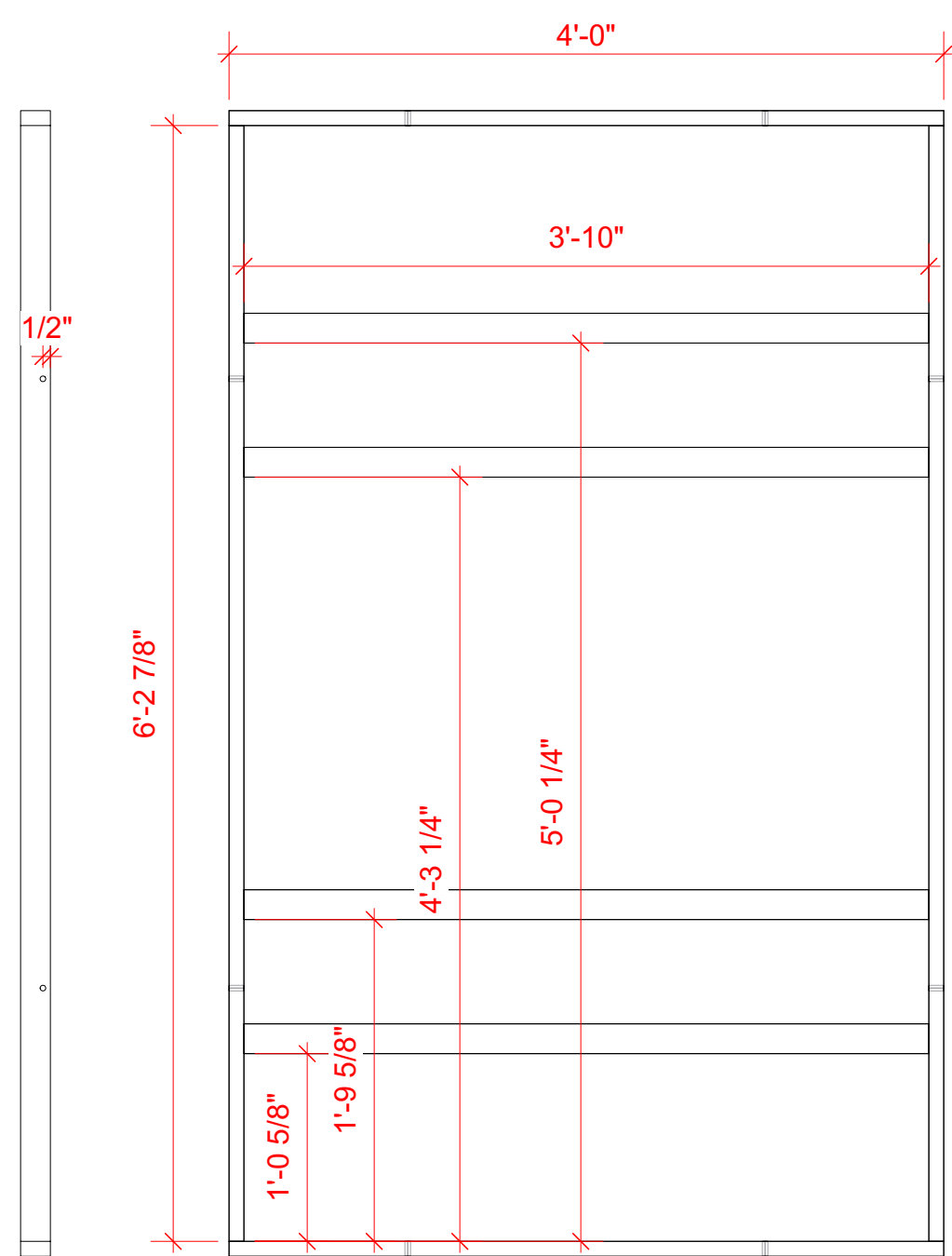
Bolt holes are to be drilled at 3/8" in diameter.

Unless otherwise specified bolt holes are to be drilled cetered on box tube.



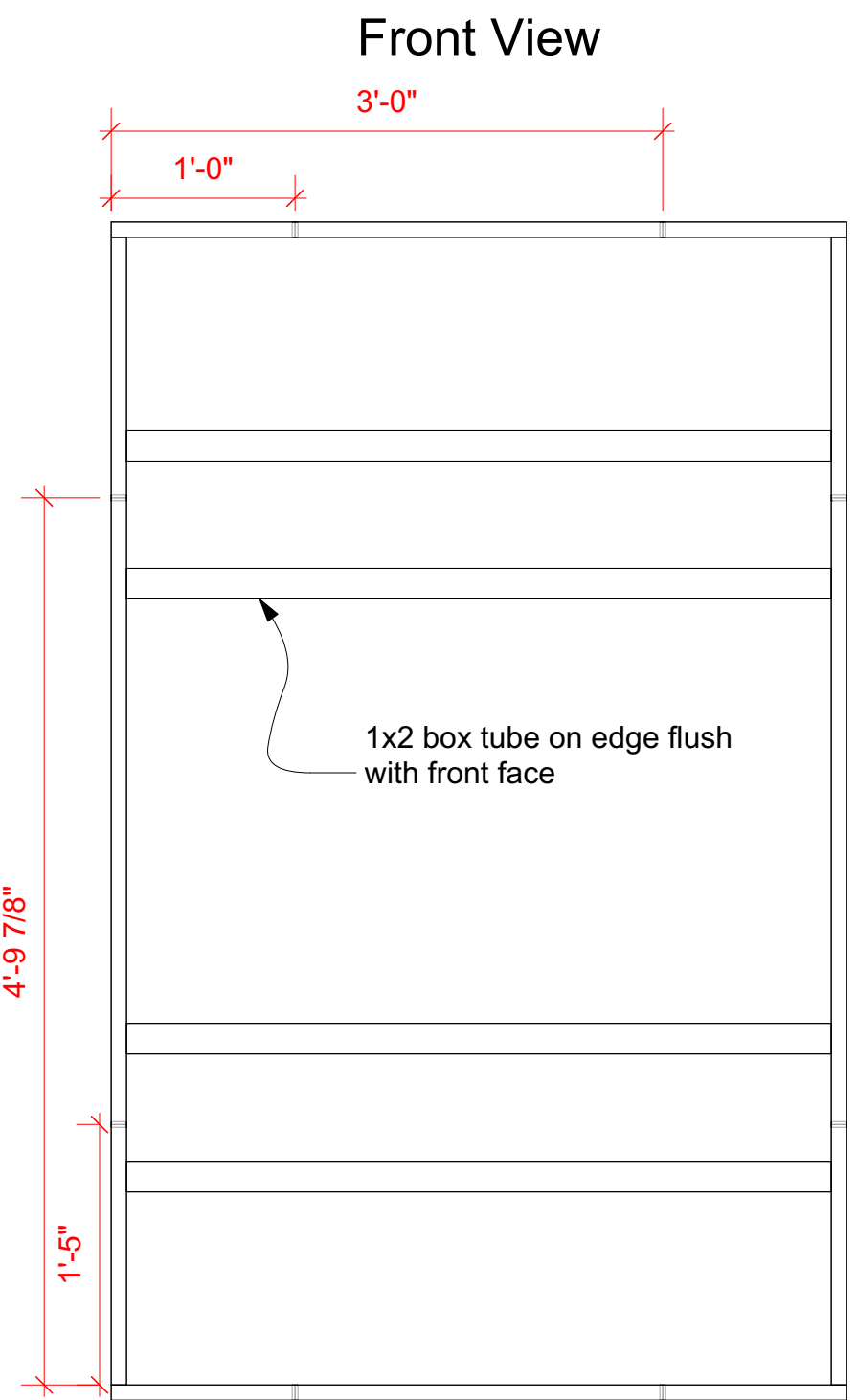
Project Name		GBPAC Video Wall	
Client Name and Address		Shawn Poellet Gallagher Bluedorn PAC	
Scale	1"=1'	Date	3/25/16
Sheet Number	3/7	Sheet Title	Side Walls

Left View



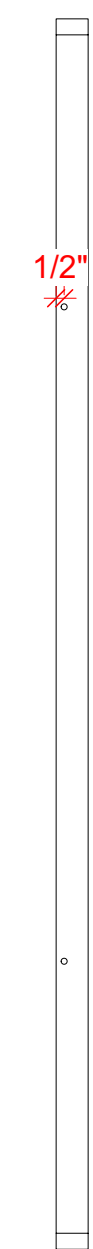
Unit B
Left TV Wall
Build 1

Front View



Unit C
Right TV Wall
Build 1

Right View

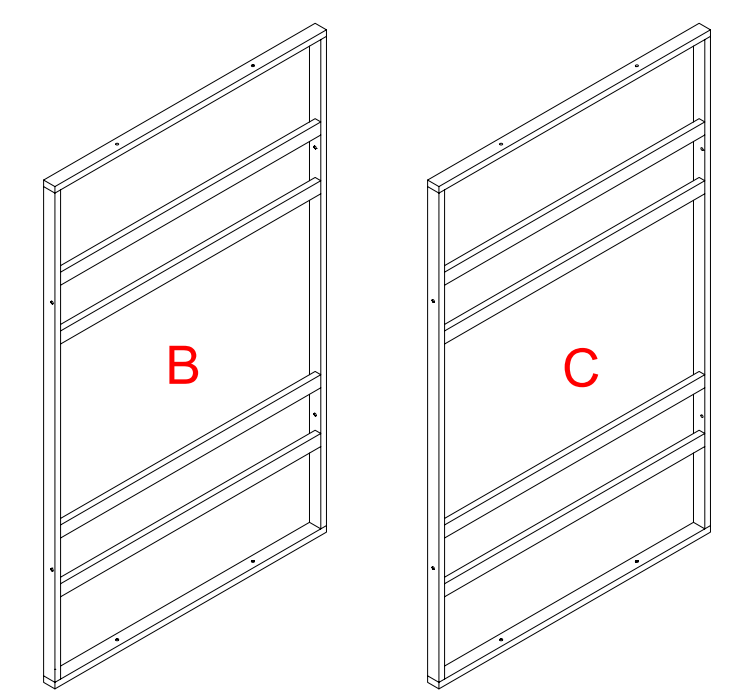


Except for the placement of the bolt holes on the outside edge these units are identical.

All material is 1"x2" steel box tube.

Bolt holes are to be drilled at 3/8" in diameter.

Unless otherwise specified bolt holes are to be drilled cetered on box tube.



Project Name		GBPAC Video Wall	
Client Name and Address		Shawn Poellet Gallagher Bluedorn PAC	
Scale	1"=1'	Date	3/25/16
Sheet Number	4/7	Sheet Title	TV Walls

All material is 1"x2" steel box tube.

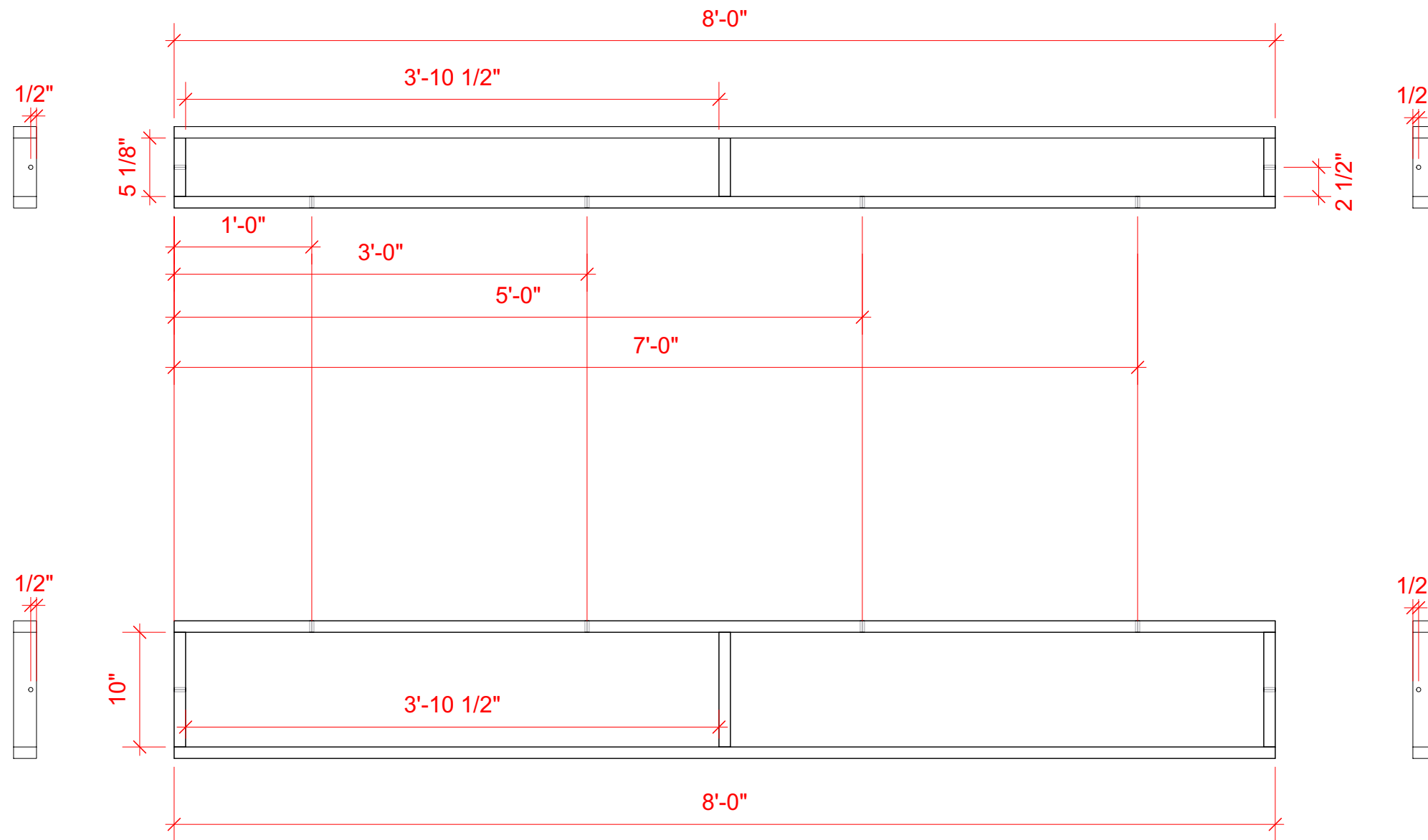
Bolt holes are to be drilled at 3/8" in diameter.

Unless otherwise specified bolt holes are to be drilled cetered on box tube.

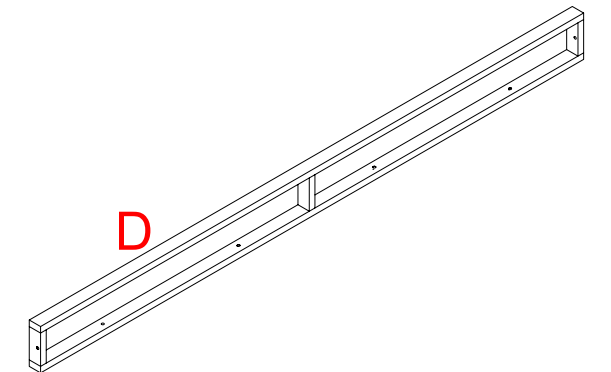
Left View

Top View

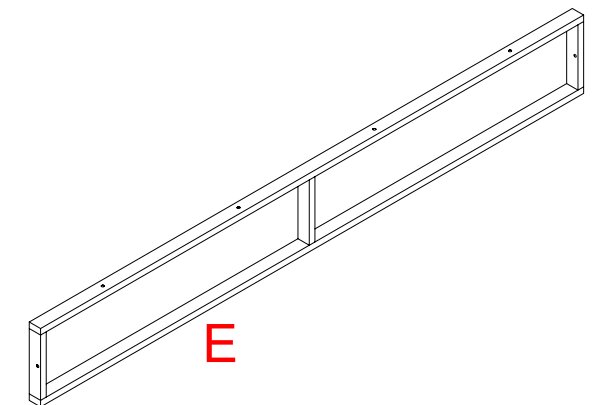
Right View



Unit D
TV Wall Header
Build 1



Unit E
TV Wall Base
Build 1

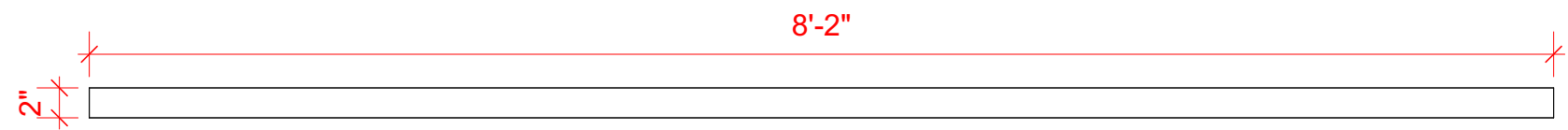


Project Name		GBPAC Video Wall	
Client Name and Address		Shawn Poellet Gallagher Bluedorn PAC	
Scale	1"=1'	Date	3/25/16
Sheet Number	5/7	Sheet Title	Base and Header

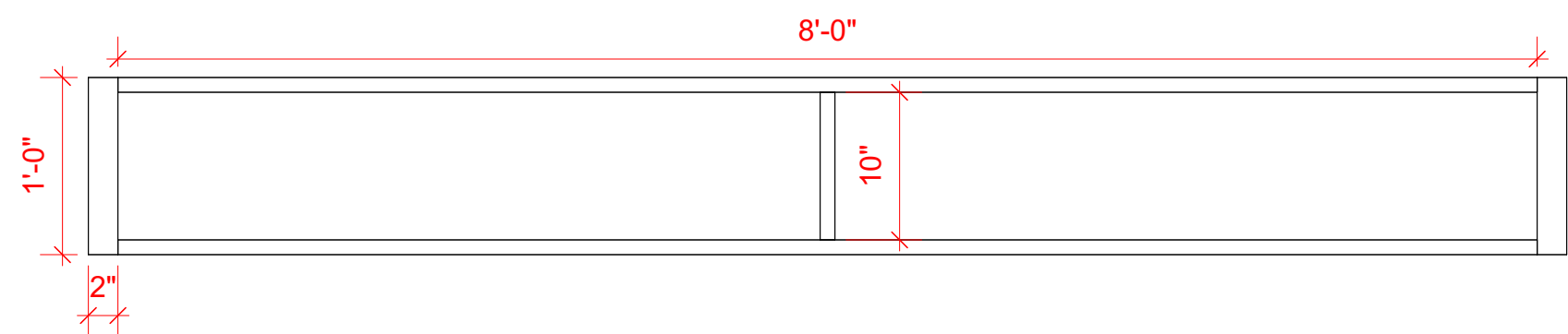
Material is 1"x1" and 1"x2" steel box tube.

Bolt holes are to be drilled at 3/8" in diameter.

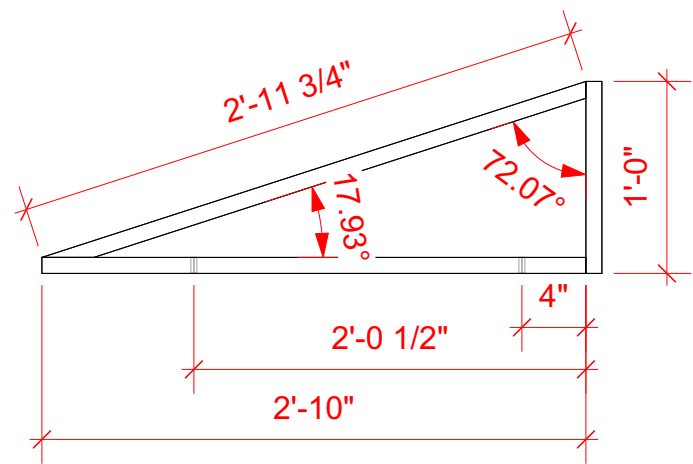
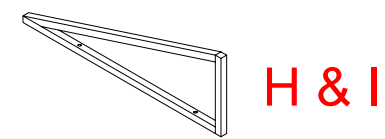
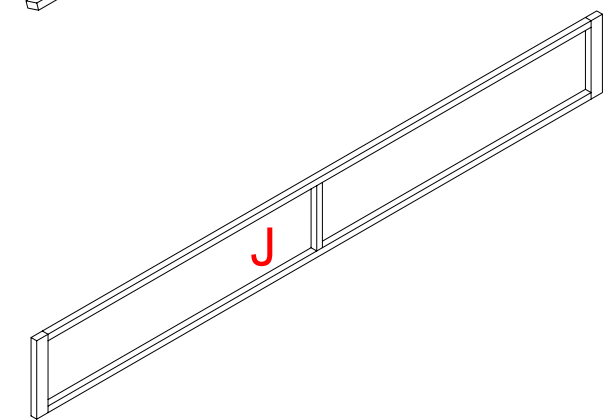
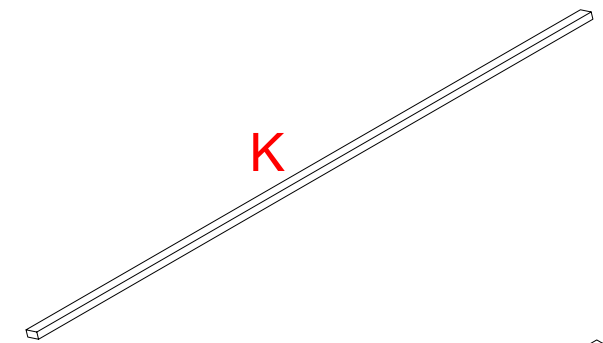
Unless otherwise specified bolt holes are to be drilled cetered on box tube.



Unit K
Roof Back
Build 1

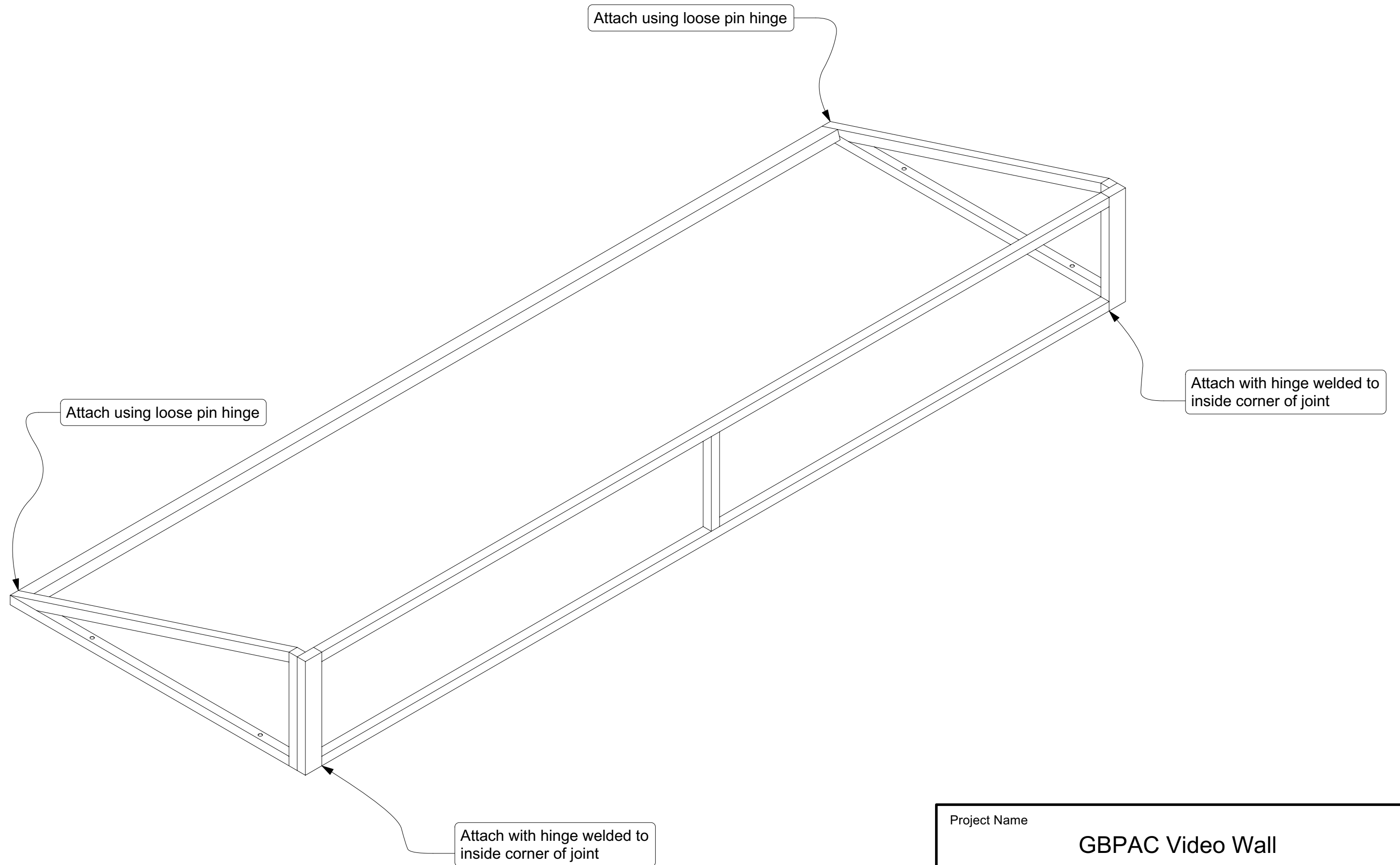


Unit J
Roof Face
Build 1



Unit H & I
Roof Sides
Build 2

Project Name		GBPAC Video Wall	
Client Name and Address		Shawn Poellet Gallagher Bluedorn PAC	
Scale	1"=1'	Date	3/25/16
Sheet Number	6/7	Sheet Title	Roof Parts



Project Name		GBPAC Video Wall	
Client Name and Address		Shawn Poellet Gallagher Bluedorn PAC	
Scale		Date	3/25/16
Sheet Number	717	Sheet Title	Roof Construction